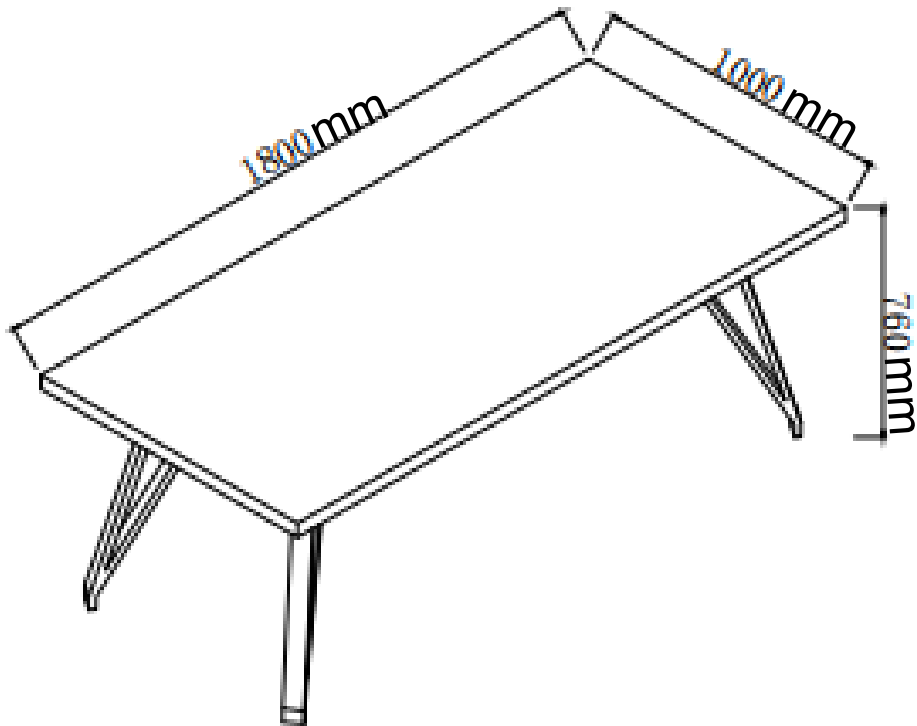


# ASSEMBLY INSTRUCTION

Saladas

Dining table

ITEM CODE:

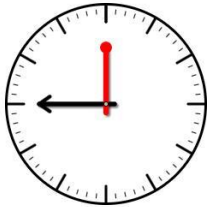



Imported by JWA Furniture Pty Ltd, Qld, Brisbane Australia.  
For any assistance with assembly or for missing parts please refer to your receipt



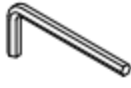
# PRE-ASSEMBLY PREPARATION

## Before you start:

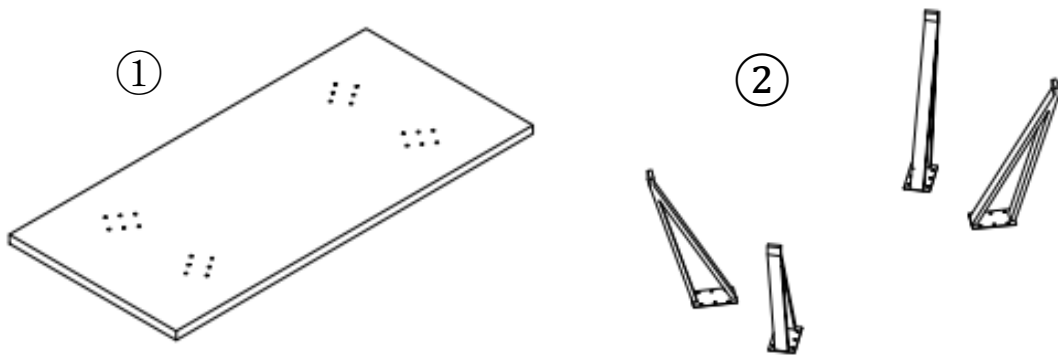
1. Choose a clean, level, spacious assembly area. Avoid hard surfaces that may damage the product
2. Take care when lifting. Product should be assembled as near as possible to the point of use
3. Ensure that you have all required contents for complete assembly
4. Always read the assembly instructions carefully before beginning assembly.
5. Keep all hardware parts and packaging out of reach of small children.
6. Do not over tighten the screws and bolts as this may damage the threads
7. Assembly is to be carried out by a competent adult(s) ONLY
8. During assembly, children should be kept away from the product due to possible risk to injury.
9. Do not use this item if any components are missing or damaged.
10. Please keep the instructions for future reference.

	
Allow 45 min	For 2 person

# PARTS LIST

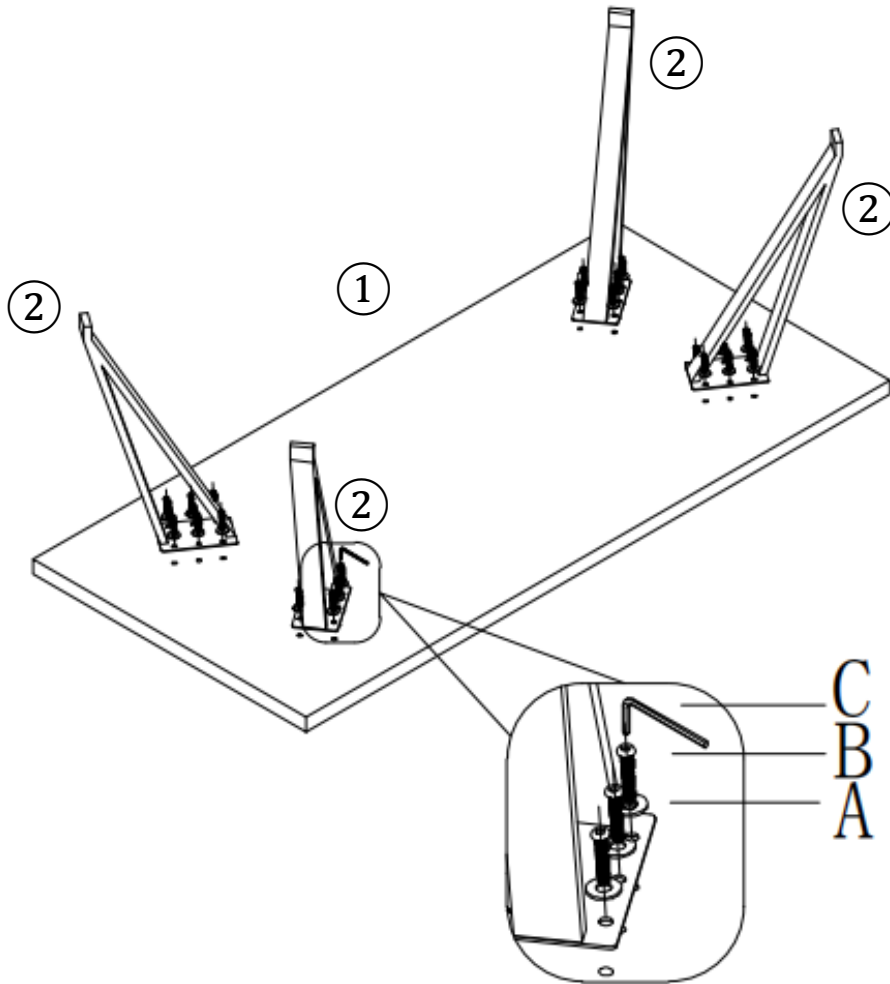
A  $\phi 22 \times 1.2 \text{mm}$ $\times 24$	B  M8 $\times 25 \text{mm}$ $\times 24$	C  M5 $\times 1$
--	--	--

①	table top
②	table legs



## STEP 1:

- Insert bolt B into Flat Washer A with Allen Key C to connect one table leg ② with the table top ① . Loosely tighten for now.



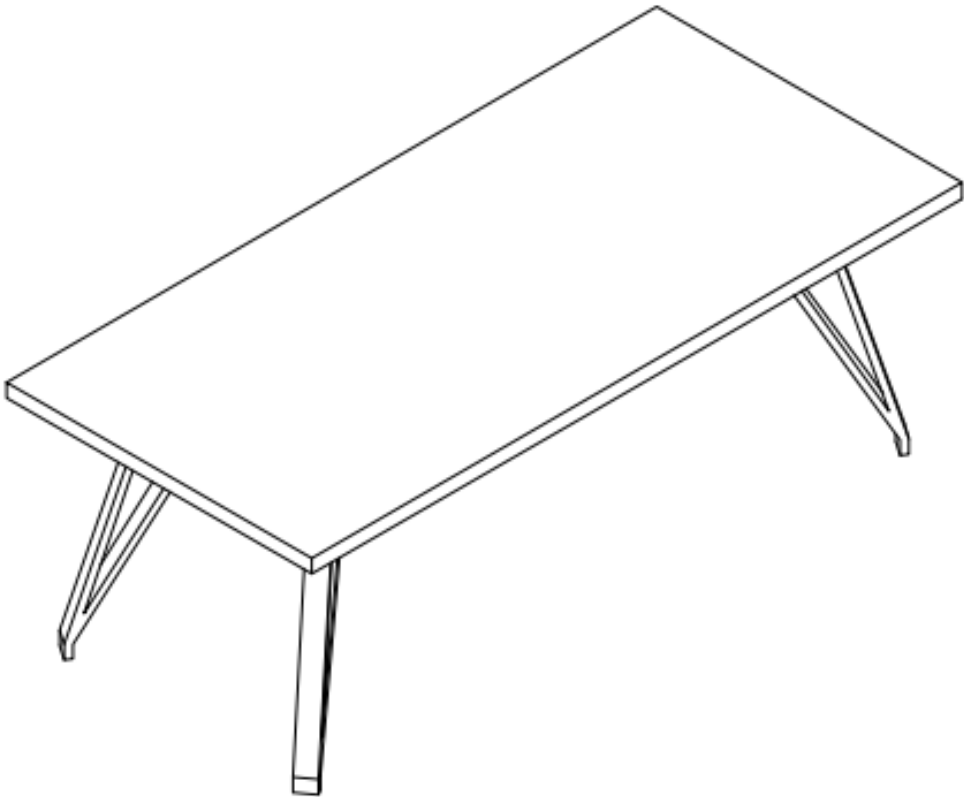
## STEP 2:

- repeat step 1 to connect other three leg with the top.

### STEP 3:

- Stand the table, top side up. Place is on a level surface. Adjust the legs until the table is level. Now go around and firmly tighten all the bolts.

ASSEMBLY OF THE LAMP TABLE IS COMPLETE



## PRODUCT CARE:

Hi-gloss lacquered furniture is more sensitive to marks and scratching than some other furniture products. It is important to exercise caution and care to maximise the life and beauty of this product

Following the below simple guidelines when using your hi-gloss product will protect your investment for years to come

- Dust frequently with a clean damp lint-free cloth. This will help remove abrasive build up which can damage a finish over time
- Avoid using chemicals or solvents when cleaning the product
- Do not place hot objects on any furniture surface. Always use a placemat. Lacquer finishes provide added scratch and heat resistance to our furniture, but they can still be damaged without proper care
- Avoid exposing your furniture to strong sunlight, heat outlet, open windows or dampness. Prolonged exposure to direct sunlight can fade the finish of your furniture, while extreme temperature and humidity changes can cause cracking or splitting
- Do not expose your furniture to any liquids. Never allow water to sit on your furniture. Alcohol, nail polish and perfume are also dangerous as they will dissolve the lacquer finish on contact and may require professional repairs
- Do not allow plastic to come in direct contact with your furniture. Chemicals in the plastic of placemats etc. may soften and mark the finish if left in contact with the furniture for a period of time
- Avoid placing sharp or rough objects on the surface of your furniture. These may scratch the surface of the product
- When moving your furniture, do not drag it across the floor. This may damage the product. Instead use two (2) people to lift carefully from either end